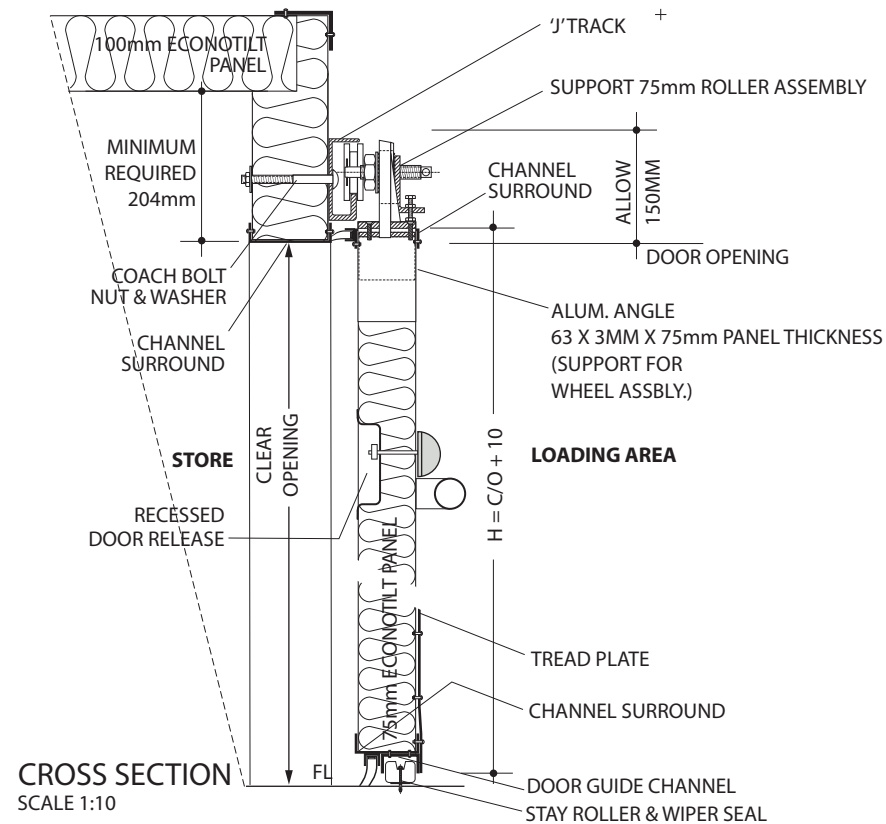


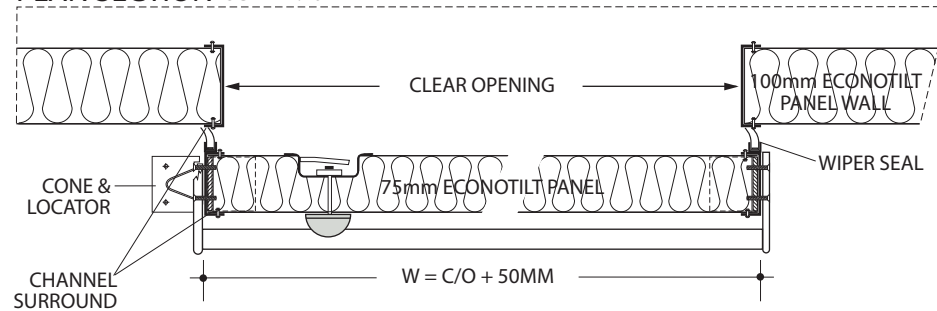
SLIDING CHILLER DOORS

Sizes available: H x W x Wall thickness

2000	x	800	x	50
		800		75
		900		75
		TO		
		1800		75
		4000		75
		800		100
		TO		
		1800		100
2100	x	800	x	75
		TO		
		1800		75
2400	x	1500	x	75
		TO		
		2400		75
		1800		100
		TO		
		2400		100
2700	x	1000	x	75
		1200		75
		1500		75
		1800		75
		2000		75
		2300		75
		3400		75
		1500		100
		1800		100
		2000		100
3000	x	2000	x	75
		2400		75
		3000		75
		2000		100
		2300		150
		2400		150
		3000		150
3200	x	3000	x	75
		2600		100
3500	x	3600	x	75
		2400		150
		3500		150
4000	x	3000	x	150
4200	x	2300	x	100
4500	x	3000	x	100
4700	x	3000	x	75
		3600		75
		3600		150
5000	x	2400	x	100
		3300		100
		3600		100



PLAN SECTION SCALE 1:10



Allow 150mm clearance each side (top & bottom) for Stops & Cone / Locator

THIS DRAWING IS THE PROPERTY OF AUSTRAL INSULATION AND MAY NOT BE REPRODUCED IN WHOLE OR IN PART WITHOUT THEIR PRIOR WRITTEN CONSENT. ALL COPYRIGHT RESERVED.



DOOR DETAILS
Econotilt™ Panel
HORIZONTAL SLIDING - Chiller

Drawn SDH

Date 28.03.08

Rev. 08.09.08

Checked

Drng. N^o E3