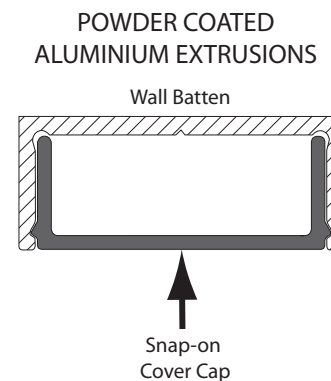
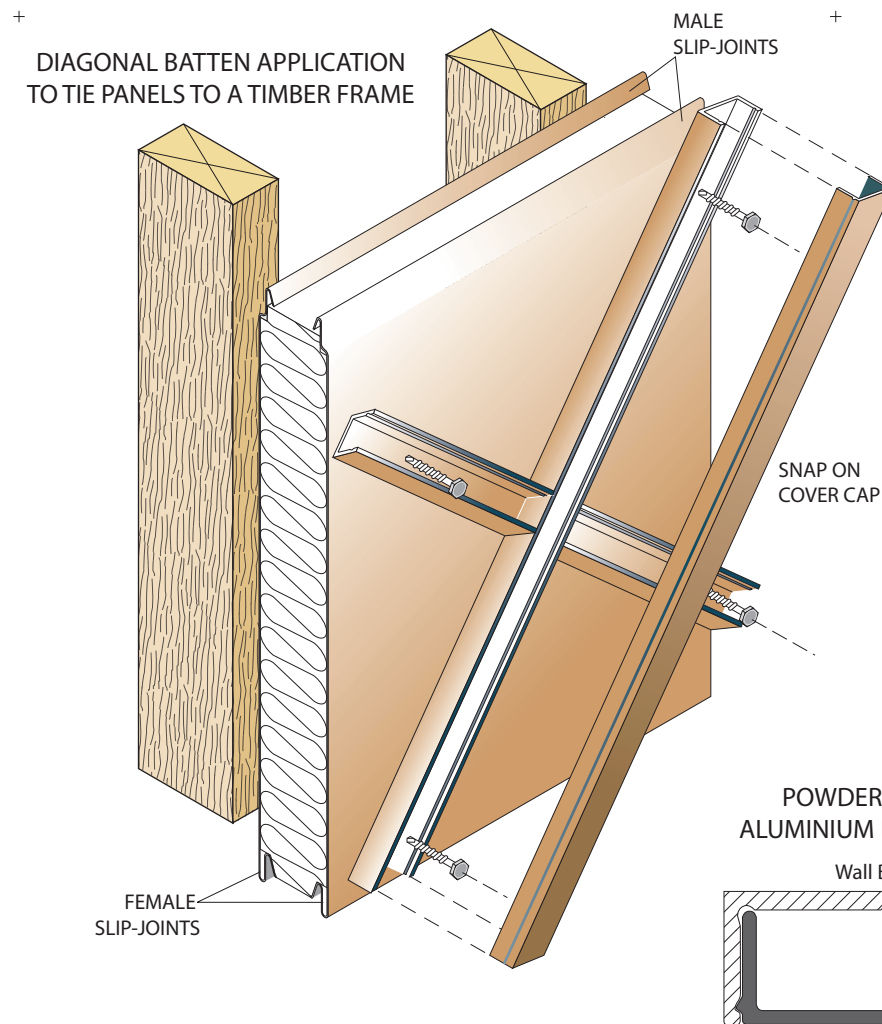
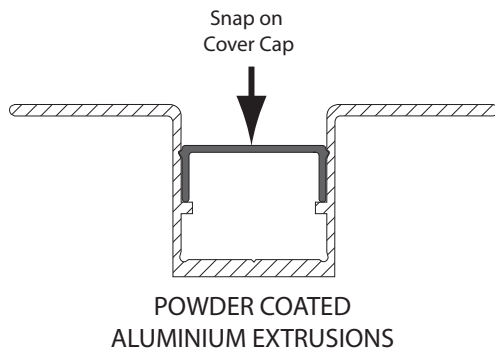


Austrafix® Top Hat Section



Austrabat® Wall battens

THIS DRAWING IS THE PROPERTY OF AUSTRAL INSULATION AND MAY NOT BE REPRODUCED IN WHOLE OR IN PART WITHOUT THEIR PRIOR WRITTEN CONSENT.

ALL COPYRIGHT RESERVED.



ARCHITECTURAL DETAILS
Econotilt™ Panel
 ARCHITECTURAL EXTRUSIONS

Drawn	SDH
Date	18.03.08
Rev.	31.07.08
Checked	
Drng. N°	D5