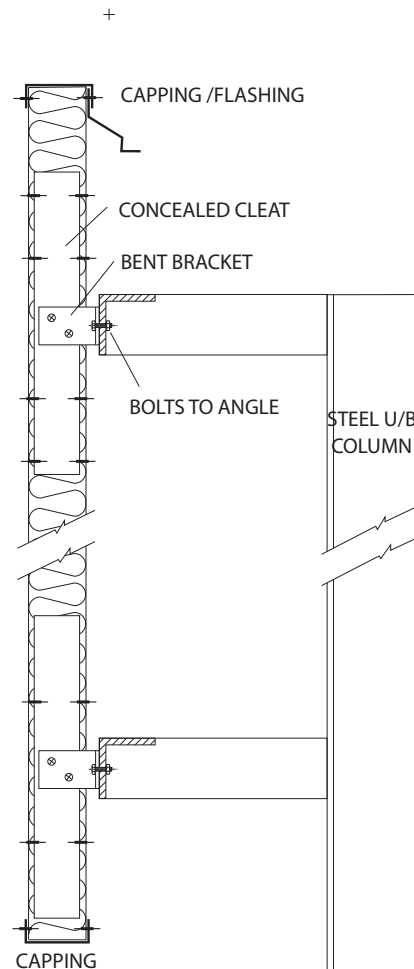
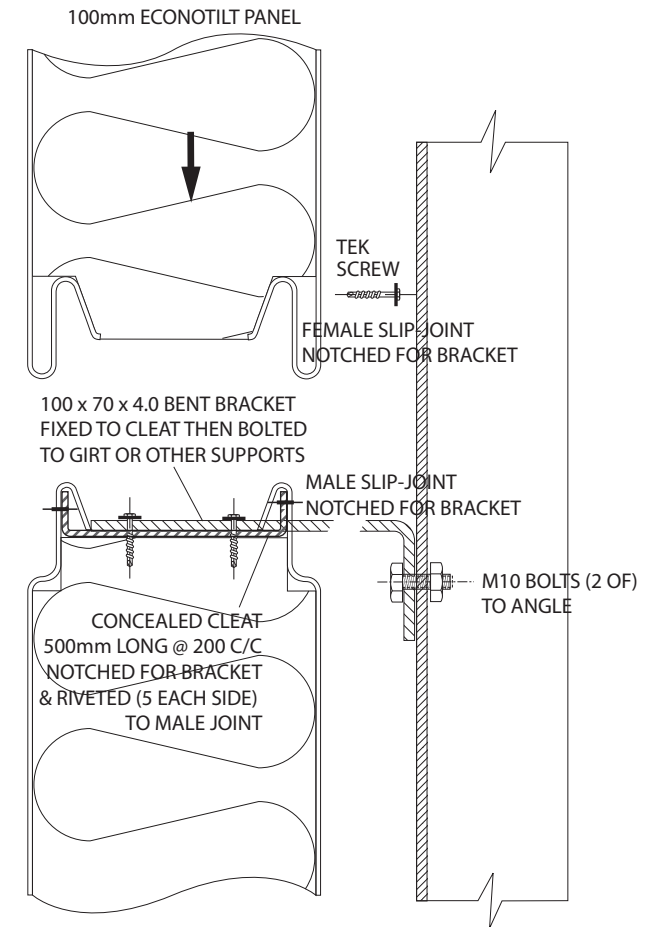


SECTION VIEW

In this diagram, Econotilt panels are laid horizontally.



SECTION VIEW



PLAN VIEW

In these diagrams, vertical panels are fixed to Engineer's standards



THIS DRAWING IS THE PROPERTY OF
AUSTRAL INSULATION AND MAY NOT
BE REPRODUCED IN WHOLE OR IN PART
WITHOUT THEIR PRIOR WRITTEN CONSENT.

ALL COPYRIGHT RESERVED.

ARCHITECTURAL DETAILS
Econotilt™ Panel
CONCEALED FIXINGS

Drawn	SDH
Date	18.03.08
Rev.	31.07.08
Checked	
Drng. N°	D4